

**STIRLING TUITION**  
**SEAG**  
**Entrance Assessment**



STIRLING TUITION  
WWW.STIRLINGTUITION.COM

**Practice Paper 19**

**(Cut Answer Sheet from Back Page)**

# English – Practice Test

In this question there is either **one** punctuation mistake or **no** punctuation mistake. Find the group of words with the mistake in it and mark its letter on your answer sheet. **If there is no mistake, mark N.**

P1 “What are you doing here?” cried the angry man. “Get out of my garden right now!”

A B C D

In this question you have to choose the **best** word to complete the sentence, so that it makes sense and is written in correct English. Choose the **best** answer and mark its letter on your answer sheet.

P2 We will return home  in  from  on  at  before

A B C D E

Portugal on the 29<sup>th</sup> of December.

In this question there is either **one** spelling mistake or **no** spelling mistake. Find the group of words with the mistake in it and mark its letter on your answer sheet. **If there is no mistake, mark N.**

P3 Everyone knows that robins are the friendliest birds you could find in your garden.

A B C D

Read this passage to yourself.

**Extract from the Secret Garden by Frances Hodgson Burnett**

She had never seen a room at all like it and thought it curious and gloomy. The walls were covered with tapestry with a forest scene embroidered on it. There were fantastically dressed people under the trees and in the distance there was a glimpse of the turrets of a castle. There were hunters and horses and dogs and ladies. Mary felt as if she were in the forest with them. Out of a deep window she could see a great climbing stretch of land which seemed to have no trees on it, and to look rather like an endless, dull, purplish sea.

Answer this question. Choose **one** answer from the options below and mark its letter on your answer sheet.

**P4**

**Which of these statements is true about the room?**

- A The walls are covered in patterned wallpaper.
- B The room looks very ordinary.
- C There are paintings on the walls.
- D The room is painted green like a forest.
- E The walls are covered with tapestry.

For this question, you have to write your answer in the box provided on your answer sheet (box P5).

**P5**

**Which one word from the passage means the same as "strange"?**

Curious



# Maths – Practice Test

P6

Peter leaves home at 15:26 and returns at 16:09. For how many minutes was he away from home?

A 39

B 83

C 43

D 34

E 36

$$\begin{array}{r} 16:09 \\ - 15:26 \\ \hline 00:43 \end{array}$$

P7



$$\begin{array}{r} 3.25 \\ \times 15 \\ \hline 1625 \\ 3250 \\ \hline 48.75 \end{array}$$

It is Cian's birthday and his parents hire out a venue in Belfast for an hour for £71.30. They also get the lunch package for the children. This costs £3.25 per person. There are 15 people in total at the birthday party.

What is the total cost for the birthday?

A £96.55

B £120.05

C £48.75

D £71.30

E £74.55

$$\begin{array}{r} 48.75 \\ + 71.30 \\ \hline £120.05 \end{array}$$

# P8

What is the number of vertices on a triangular prism?

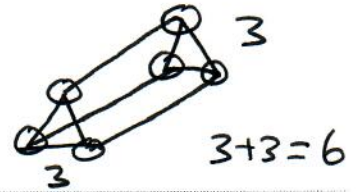
A 7

B 3

C 5

**D 6**

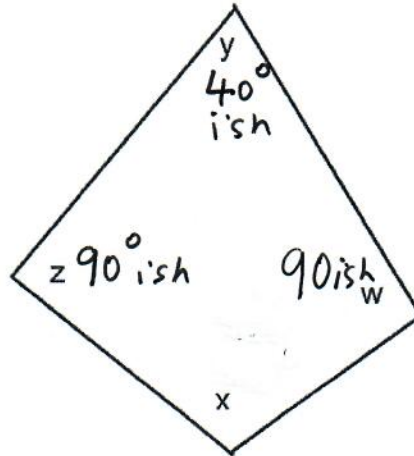
E 4



For these questions you have to **write your answers** in the boxes provided on your answer sheet (box P9 and P10). The units of measurement have been given.

# P9

Look at the quadrilateral below.



$$\begin{array}{r} 90 \\ 40 \\ + 90 \\ \hline 220 \text{ ish} \end{array}$$

more than 180°

If angle y, z and w are all added together, what type of angle would this be?

**Reflex**

# P10

The digits 9, 1 and 4 are arranged to make a 3-digit number.

Each digit is used only once.

How many different odd 3-digit numbers can be made?

149 ✓  
~~194~~  
419 ✓  
491 ✓  
~~914~~  
941 ✓

**4**



# English – Main Test

In this exercise there are some mistakes with **punctuation** or use of **capital letters**. On each numbered line there is either **one** mistake or **no** mistake. Find the group of words with the mistake in it and **mark its letter on your answer sheet**. If there is no mistake, mark **N**.

## Punctuation Exercise

1 The show is selling out fast! Make sure you book your <sup>(C)</sup> tickets sooner rather than later.

↑ A      ↑↑ B      ↑↑ (C)      ↑↑ D      ↑

*No apostrophe needed*

2 It is extremely mild for October, isn't it? <sup>(?)</sup> It must be the effects of climate change.

↑ A      ↑↑ B      ↑↑ (?)      ↑↑ D      ↑

3 Paris <sup>(O)</sup> (which is the capital city of France) is said to be the most romantic city in the world.

↑ (O) A      ↑↑ B      ↑↑ C      ↑↑ D      ↑

*Open brackets*

4 I can't go to the cinema on Saturday however, I could go on Friday. Is that okay with you?

↑ A      ↑↑ B      ↑↑ C      ↑↑ D      ↑

**N**

5 "I can't remember!" she said tearfully. <sup>(I)</sup> It was dark and everything happened so quickly!"

↑ A      ↑↑ B      ↑↑ (I) C      ↑↑ D      ↑

*Capital letter*

In this exercise you have to choose the **best** word, or **group of words**, to complete each numbered line so that the passage makes sense and is written in correct English. Choose the best answer and **mark its letter on your answer sheet**.

## Grammar Exercise

6

I have read many of Roald Dahl's books but I am not familiar

of    in    at    with    from   this one.  
A   B   C   D   E

7

I  know    have known    will know    knowing    have knew  
A   B   C   D   E

Jack ever since we sat beside each other in Year One.

8

I have been looking forward to watching

some    these    this    it    a   new Marvel movie for weeks.  
A   B   C   D   E

9

I have finished  so    either    but    and    both  
A   B   C   D   E

my English essay and my Maths homework.

10

Look on the  bright    brighter    brightest    shiny    dark  
A   B   C   D   E

side, at least you didn't get the worst score in the class.

In this exercise there are some **spelling** mistakes. On each numbered line there is either **one** mistake or **no** mistake. Find the group of words with the mistake in it and **mark its letter on your answer sheet**. If there is no mistake, mark **N**.

## Spelling Exercise

- 11 appointment  
If you are unable to keep your apointment, please telephone the office to let us know.  
↑ A ↑ B ↑ C ↑ D ↑
- 12 valuable  
The Mountain of Light is thought to be the most valuble diamond in the world.  
↑ A ↑ B ↑ C ↑ D ↑
- 13  
I don't really like designer clothes, I prefer to find unique clothing in antique shops. N  
↑ A ↑ B ↑ C ↑ D ↑
- 14 decision  
I will not be going to the party on Wednesday night and that is my final desision.  
↑ A ↑ B ↑ C ↑ D ↑
- 15 common  
The most comon birds found in British gardens are sparrows, robins and pigeons.  
↑ A ↑ B ↑ C ↑ D ↑



Read the **whole** passage carefully, then answer the questions that follow.

**Extract from The Secret Garden by Frances Hodgson Burnett**

1. The bird put his tiny head on one side and looked up at him with his soft bright eye
2. which was like a black dewdrop. He seemed quite familiar and not the least afraid. He
3. hopped about and pecked the earth briskly, looking for seeds and insects. It actually
4. gave Mary a queer feeling in her heart, because he was so pretty and cheerful and
5. seemed so like a person. He had a tiny plump body and a delicate beak, and slender
6. delicate legs.
7. "Will he always come when you call him?" she asked almost in a whisper.
8. "Aye, that he will. I've knowed him ever since he was a fledgling. He come out of th'
9. nest in th' other garden an' when first he flew over th' wall he was too weak to fly back
10. for a few days an' we got friendly. When he went over th' wall again th' rest of th'
11. brood was gone an' he was lonely an' he come back to me."
12. "What kind of a bird is he?" Mary asked.
13. "Doesn't tha' know? He's a robin redbreast an' they're th' friendliest, curiosest birds
14. alive. They're almost as friendly as dogs—if you know how to get on with 'em. Watch
15. him peckin' about there an' lookin' round at us now an' again. He knows we're talkin'
16. about him. "
17. It was the queerest thing in the world to see the old fellow. He looked at the plump little
18. scarlet-waistcoated bird as if he were both proud and fond of him.
19. "He's a conceited one," he chuckled. "He likes to hear folk talk about him. An'
20. curious—bless me, there never was his like for curiosity an' meddlin'. He's always
21. comin' to see what I'm plantin'. He knows all th' things Mester Craven never troubles
22. hissel' to find out. He's th' head gardener, he is."
23. The robin hopped about busily pecking the soil and now and then stopped and looked at
24. them a little. Mary thought his black dewdrop eyes gazed at her with great curiosity. It
25. really seemed as if he were finding out all about her. The queer feeling in her heart
26. increased.
27. "Where did the rest of the brood fly to?" she asked.
28. "There's no knowin'. The old ones turn 'em out o' their nest an' make em fly an'
29. they're scattered before you know it. This one was a knowin' one an' he knew he
30. was lonely."

31. Mistress Mary went a step nearer to the robin and looked at him very hard.
32. "I'm lonely," she said. (21)
33. She had not known before that this was one of the things which made her feel sour
34. and cross. She seemed to find it out when the robin looked at her and she looked at
35. the robin. The old gardener pushed his cap back on his bald head and stared at her
36. a minute.
37. "Art tha' th' little wench from India?" he asked.
38. Mary nodded.
39. "Then no wonder tha'rt lonely. Tha'lt be lonlier before tha's done," he said.
40. He began to dig again, driving his spade deep into the rich black garden soil while
41. the robin hopped about very busily employed. (22)
42. "What is your name?" Mary inquired.
43. He stood up to answer her.
44. "Ben Weatherstaff," he answered, and then he added with a surly chuckle, "I'm
45. lonely mysel' except when he's with me," and he jerked his thumb toward the robin.
46. "He's' th' only friend I've got."
47. "I have no friends at all," said Mary. "I never had. My Ayah didn't like me and I never
48. played with any one."
49. It is a Yorkshire habit to say what you think with blunt frankness, and old Ben
50. Weatherstaff was a Yorkshire moor man.
51. "Tha' an' me are a good bit alike," he said. "We was wove out of th' same cloth.
52. We're neither of us good lookin' an' we're both of us as sour as we look. We've got
53. the same nasty tempers, both of us, I'll warrant. (22)

Please answer these questions. (Look at the passage again if you need to.) You should choose the **best** answer and mark its letter on your answer sheet.

16

Which of the following literary techniques is being used in lines 1-2?

- A metaphor
- B simile
- C alliteration
- D personification
- E onomatopoeia

17

Why does the bird give Mary a “queer feeling in her heart”? (line 4)

- A Because she is afraid of the bird.
- B Because she is feeling unwell.
- C Because she finds the bird so beautiful and happy.
- D Because she thinks that the bird is funny.
- E Because she thinks that the bird is strange.

18

Look at lines 8 – 11. What does the language that the old man uses suggest about him?

- A He is lazy.
- B He is poor.
- C He is stupid.
- D He can't speak English very well.
- E He is speaking with a local accent.

19

“He’s th’ head gardener, he is.” (line 22)

Why does the old man say that the robin is the head gardener?

- A The robin is good at gardening.
- B The robin is in the garden all the time.
- C The robin plants the seeds in the garden.
- D Mr Craven made the robin the head gardener.
- E The robin thinks that he is the head gardener.

20

Look at lines 27-30. What is true about the way that robins treat their young?

- A Robins teach their young how to fly.
- B Robins have large nests for their young.
- C Robins live as a family for a long time.
- D Robins kick their chicks out of the nest when they are young.
- E Robins have lots of chicks.

21

Look at lines 31 – 36. What does Mary realise?

- A She is lonely.
- B She likes robins.
- C She is cross.
- D She misses her parents.
- E She likes gardening.

22

Look at lines 49 – 53. What does this suggest about Ben?

- A He is unattractive and grumpy like Mary.
- B He has nice clothes.
- C He is a nasty person.
- D He wants to be friends with Mary.
- E He wants Mary to go away.

For these questions you have to **write your answers**, neatly, in the boxes provided on your answer sheet.

23

“they’re the friendliest, curiousest birds alive” (line 13) What other animal does Ben compare robins to?

Dogs

24

What food is the robin looking for in the garden?

Seeds and insects

25

Which word in line 9 is opposite in meaning to "strong"?

Weak

26

Which word in line 17 means the same as "fat"?

Plump

27

Which part of speech is "feeling" as it appears in the passage? (line 4)

Noun

28

Which one part of speech are the following as they appear in the passage?

briskly (line 3) always (line 7) busily (line 23) very (line 41)

Adverbs

# Maths – Main Test

29

What is ~~90%~~  $\frac{9}{10}$  of 5 hours in minutes?

$60 \times 5 = 300$

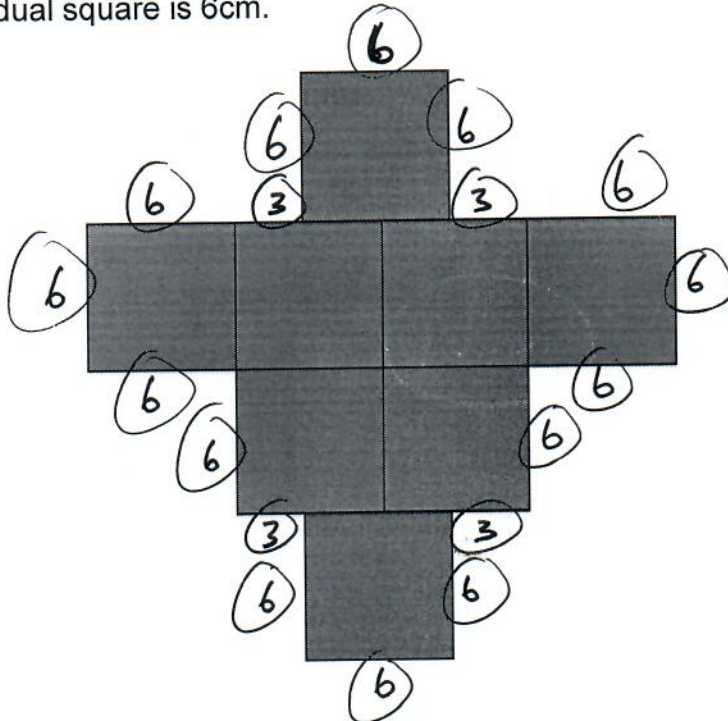
- A 270     
  B 285     
  C 290     
  D 300     
  E 275

$\frac{9}{10}$  of  $300 = 270$ 

$$\begin{array}{r} 30 \\ \times 9 \\ \hline 270 \end{array}$$

30

Look at the 8 identical squares below arranged in a shape. The length of each side of an individual square is 6cm.



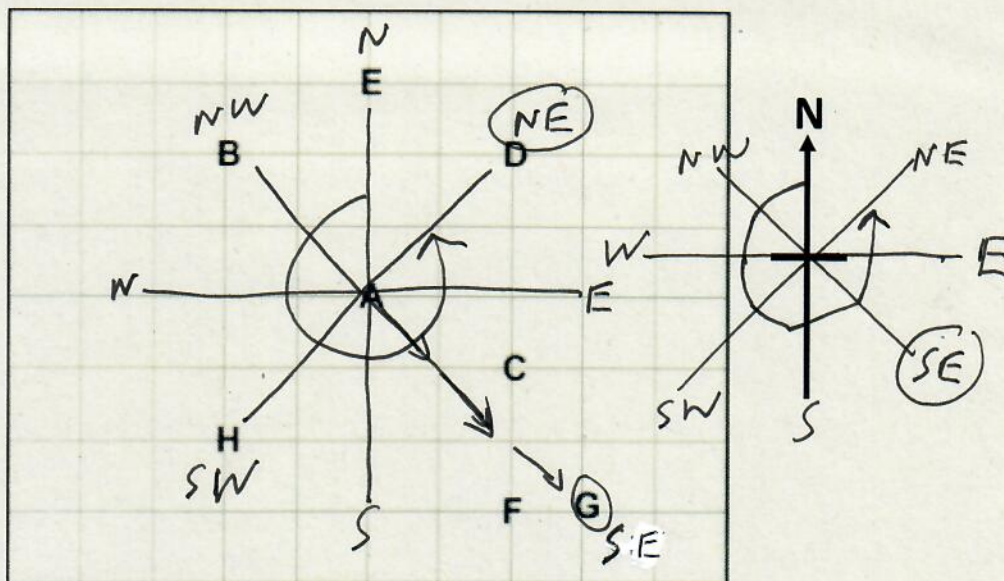
$14 \times 6 = 84$   
 $3 \times 4 = 12$   
 $\hline 96$

What is the perimeter of the shape?

- A 126     
  B 108     
  C 48     
  D 192     
 E 96

31

Look at the grid below. Several letters are shown on the grid. All the small squares in the grid are the same size. The North direction is shown to the right of the grid.



Which letter lies exactly South East of letter A?

A H

**B G**

C D

D B

E F

32

Look again at the grid above.  
 You are at letter A facing North.  
 You turn anticlockwise through  $315^\circ$ .

7 sections  

$$\begin{array}{r} 9 \overline{) 063} \\ \underline{5} \phantom{3} \\ 13 \phantom{5} \\ \underline{9} \phantom{5} \\ 45 \\ \underline{45} \\ 0 \end{array}$$

Which letter are you now facing?

A B

B F

C G

D E

**E D**

# 33

What number is 0.42 less than 631?

$$\begin{array}{r} 631.00 \\ - 0.42 \\ \hline 630.58 \end{array}$$

- A 543.12    B 5.89    **C 630.58**    D 626.8    E 631.42

# 34

Sadie and Ruth are keen runners. Sadie goes running every 4 days and Ruth goes running every 6 days. They both go running on the 1st of July.

On how many days in July will they both go running on the same day, not including the 1st of July?

(4) Sadie    (6) Ruth

- A 4    B 1    C 3    **D 2**    E 5

(4) Sadie	(6) Ruth
1	1
5	7
9	13
<b>13</b>	<b>13</b>
17	19
21	25
<b>25</b>	<b>25</b>
29	31

# 35

Below is a table listing the temperatures in 5 different cities around the world at midday and midnight of the same day.

City	Midday	Midnight
1	-12°C	6°C
2	13°C	-4°C
<b>3</b>	<b>-14°C</b>	<b>6°C</b>
4	11°C	-6°C
5	-17°C	-2°C

$$\begin{array}{l} -12 \xrightarrow{+12} 0 \xrightarrow{+6} 6 = 18 \\ -4 \xrightarrow{+4} 0 \xrightarrow{+13} 13 = 17 \\ -14 \xrightarrow{+14} 0 \xrightarrow{+6} 6 = \mathbf{20} \\ -6 \xrightarrow{+6} 0 \xrightarrow{+11} 11 = 17 \\ -17 \xrightarrow{+17} 0 \xrightarrow{-2} -2 = 15 \end{array}$$

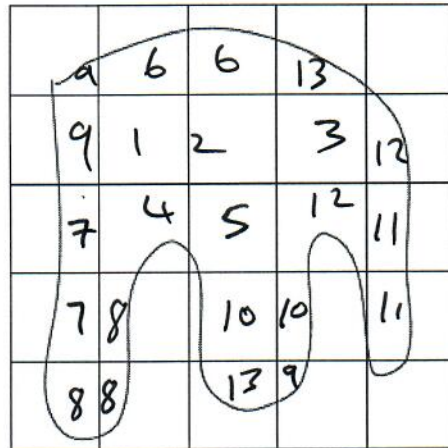
Which city experienced the largest change in temperature between midday and midnight?

- A 1    B 2    **C 3**    D 4    E 5



# 36

Look at the shape on the grid below.  
Each square on the grid has a side length of 1m.



13ish

Which answer below (A-E) is the best estimate of the area of the shape inside the grid?

- ~~A 12cm<sup>2</sup>~~    B 14m<sup>2</sup>    C ~~16cm<sup>2</sup>~~    D 24m<sup>2</sup>    E ~~20cm<sup>2</sup>~~

# 37

How many odd, two-digit, whole numbers are there between 15-55?

- A 21    B 19    C 40    D 60    E 20

- 17   19   21   23   25   27   29   31   33   35  
 37   39   41   43   45   47   49   51   53

# 38

The volume of a cube is three times the volume of a pyramid.

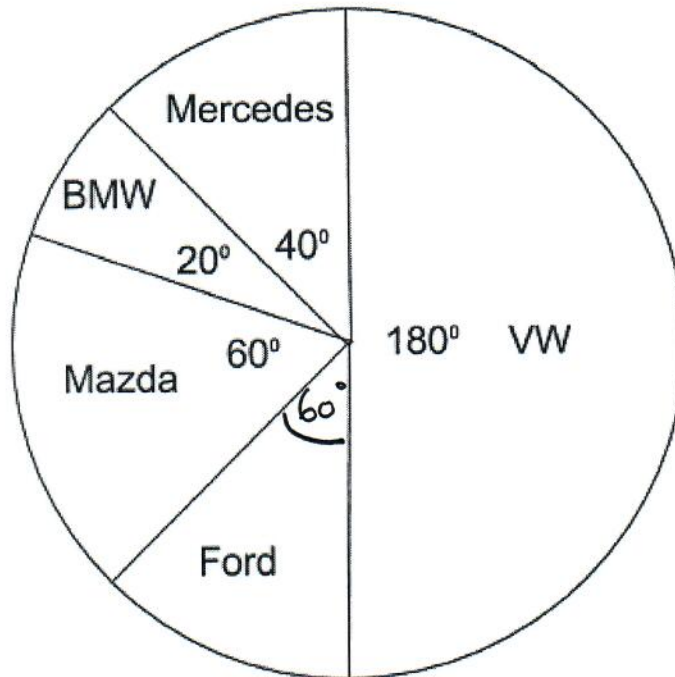
$$3 \times 3 \times 3 = 27 \text{ cm}^3$$

If the cube has sides of length 3 cm, what is the volume of the pyramid?

- A 49    B 27    C 9    D 81    E 243

$$3 \overline{) 27} \begin{array}{r} 9 \\ \end{array}$$

Clare asks a number of adults about their favourite car. She draws the pie chart below.



She finds out that 12 adults prefer Ford.

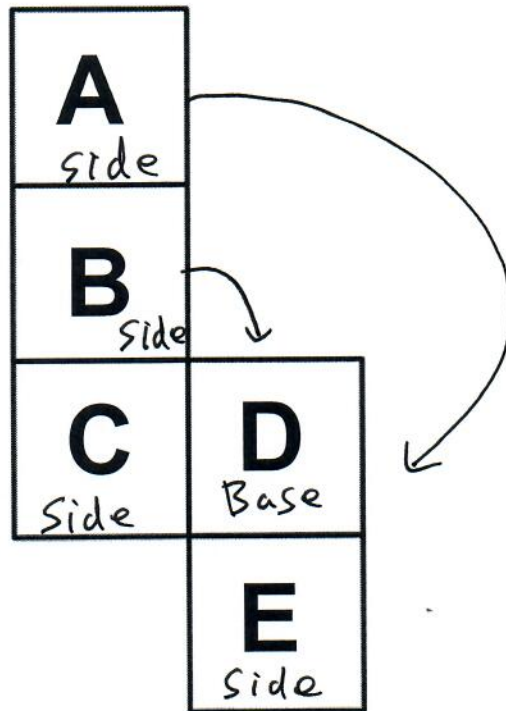
How many adults in total did Clare ask?

- A 60
- B 12
- C 72**
- D 8
- E 360

$$\begin{array}{r} 40 \\ 20 \\ + 60 \\ \hline 120 \end{array} \qquad \begin{array}{r} 180 \\ - 120 \\ \hline 60 \end{array}$$

$$\begin{array}{l} \times 6 \quad \left( \begin{array}{l} 60^\circ = 12 \\ 360^\circ = 72 \end{array} \right) \times 6 \end{array}$$

Look at the shape below. The shape is the net of a cube with no lid.



Which letter is the base of the cube?

- A A    B B    C C    **D D**    E E

Toby's mobile phone contract includes the following information on the cost of calls:

37p per minute for the first three minutes  
 4p per minute for each minute after the first three minutes.

Toby makes a call which lasts 17 minutes.

How much will this call cost?

- A £0.56    B £0.41    C £1.11    D £2.34

**E £1.67**

$$\begin{array}{r} 237 \\ \times 3 \\ \hline \end{array}$$

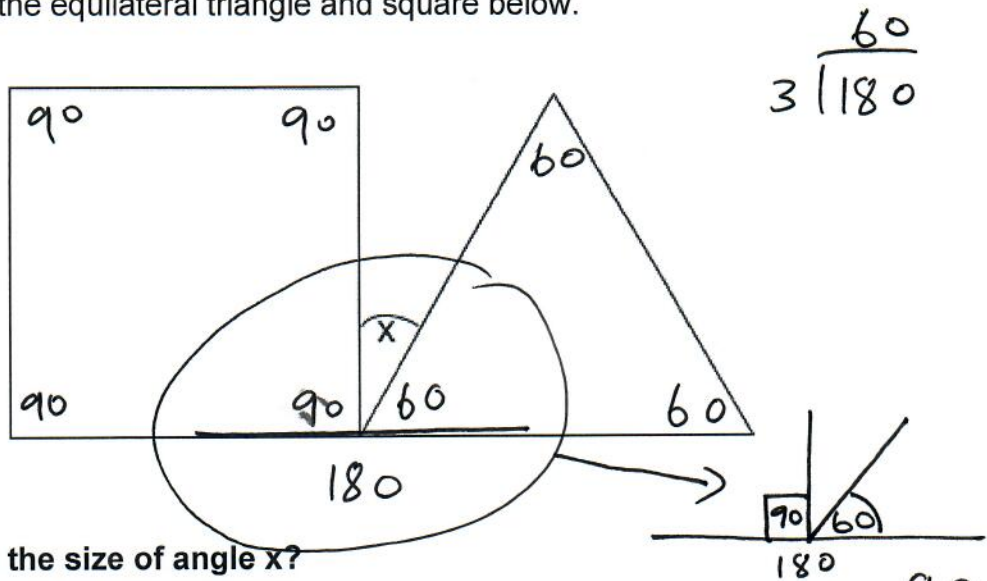
$$\begin{array}{r} 17 \\ - 3 \\ \hline 14 \end{array}$$

$$\begin{array}{r} 114 \\ \times 4 \\ \hline 56p \end{array}$$

$$\begin{array}{r} £1.11 \\ + £0.56 \\ \hline £1.67 \end{array}$$

# 42

Look at the equilateral triangle and square below.



What is the size of angle  $x$ ?

- A  $90^\circ$     **B  $30^\circ$**     C  $45^\circ$     D  $180^\circ$     E  $60^\circ$

$$\begin{array}{r} 26 \\ + 25 \\ \hline 51 \\ - 31 \\ \hline 20 \end{array}$$

31 days

Sam starts a new job as a mechanic in exactly 25 days. Today is the 26th of March.

What date in April does Sam start his new job?

- A 20<sup>th</sup>**    B 25<sup>th</sup>    C 21<sup>st</sup>    D 19<sup>th</sup>    E 23<sup>rd</sup>

A teacher asks their class to write down how many pets they have. The table below is a tally chart showing the number of pets for the pupils in the class.

Number of Pets	Tally	Pupils
0		12
1		7
2		3
3 or more		9

How many pupils are there in total in the class?

- A 30
- B 8
- C 31**
- D 12
- E 29

$$\begin{array}{r}
 12 \\
 7 \\
 3 \\
 + 9 \\
 \hline
 31
 \end{array}$$

A bottle of water contains 246 ml. A jug of water contains 2.4 litres. = 2400 ml

How much more water is in the jug than is in 8 bottles?

- A 2154ml
- B 246ml
- C 2400ml
- D 432ml**
- E 1968ml

$$\begin{array}{r}
 34 \\
 246 \\
 \times 8 \\
 \hline
 1968
 \end{array}$$

$$\begin{array}{r}
 139 \\
 2460 \\
 - 1968 \\
 \hline
 0432 \text{ ml}
 \end{array}$$

46

A student is learning to speak a new language. Every day they learn 9 new words.

How many full days will it be before they have learned more than 600 words?

- A 65    **B 67**    C 63    D 60    E 66

$$\begin{array}{r} 66.66\dots \\ 9 \overline{) 600.660} \\ \underline{594} \phantom{0} \\ 660 \\ \underline{603} \\ 570 \end{array}$$

$\begin{array}{r} 66 \\ \times 9 \\ \hline 594 \end{array} \times$       $\begin{array}{r} 67 \\ \times 9 \\ \hline 603 \end{array} \checkmark$

47

A pet owner's cat eats half of a tin of cat food each day. The pet owner buys 12 tins of cat food.

- A.  $0.5 \times 12 = 6$   
 B.  $0.5 \div 12 = 0.041\bar{6}$   
 C.  $12 - 0.5 = 11.5$   
 D.  $0.5 + 12 = 12.5$   
 E.  $12 \div 0.5 = 24$

$$\begin{array}{r} 12 \\ \times 0.5 \\ \hline 6.0 \end{array}$$

$$\begin{array}{r} 12.6 \\ - 0.5 \\ \hline 11.5 \end{array}$$

$$\begin{array}{r} 0.0416\bar{6}\dots \\ 12 \overline{) 0.500000} \\ \underline{48} \phantom{0000} \\ 2000 \\ \underline{192} \phantom{00} \\ 8000 \\ \underline{7680} \\ 3200 \\ \underline{3120} \\ 800 \end{array}$$

$$\begin{array}{r} 12.0 \\ + 0.5 \\ \hline 12.5 \end{array}$$

$$0.5 \overline{) 12} \quad \begin{array}{r} 24 \\ \hline \end{array}$$

Which calculation above (A-E) will give the correct answer to the following question:

After how many days will the cat have eaten all 12 tins?

- A A    B B    C C    D D    **E E**

48

How many millimetres are there in 0.87 m?  $1\text{m} = 1000\text{mm}$

- A 0.87    B 8.7    C 87    **D 870**    E 8700

$$0.870 \times 1000 = 870$$

# 49

Look at the 5 calculations below.

$$\begin{array}{r} 216 \\ + 25 \\ \hline 241 \end{array}$$

$$\begin{array}{r} 25 + 216 \\ 5^2 + 6^3 \\ \hline 241 \end{array}$$

$$\begin{array}{r} 36 - 25 \\ 6^2 - 5^2 \\ \hline 11 \end{array}$$

$$\begin{array}{r} 125 - 36 \\ 5^3 - 6^2 \\ \hline 89 \end{array}$$

$$\begin{array}{r} 216 - 125 \\ 6^3 - 5^3 \\ \hline 91 \end{array}$$

$$\begin{array}{r} 36 + 125 \\ 6^2 + 5^3 \\ \hline 161 \end{array}$$

Which calculation gives the smallest answer?

$$\begin{array}{r} 36 \\ - 25 \\ \hline 11 \end{array}$$

A  $5^2 + 6^3$

$$\begin{array}{r} 111 \\ \times 25 \\ - 36 \\ \hline 89 \end{array}$$

B  $6^2 - 5^2$

$$\begin{array}{r} 216 \\ - 125 \\ \hline 091 \end{array}$$

C  $5^3 - 6^2$

$$\begin{array}{r} 36 \\ + 125 \\ \hline 161 \end{array}$$

D  $6^3 - 5^3$

E  $6^2 + 5^3$

# 50

The following table shows how many pupils are in each class in a school. There is the same number of pupils in Year 1, Year 3 and Year 5.

Classes	Number of pupils
Year 1	29
Year 2	36
Year 3	29
Year 4	27
Year 5	29
Year 6	28
Year 7	23
<b>Total</b>	<b>201</b>

$$\begin{array}{r} 29 \\ 36 \\ 29 \\ 27 \\ + 29 \\ \hline 114 \end{array}$$

$$\begin{array}{r} 201 \\ - 114 \\ \hline 087 \end{array}$$

How many pupils are there in Year 5?

A 25

B 31

C 30

D 26

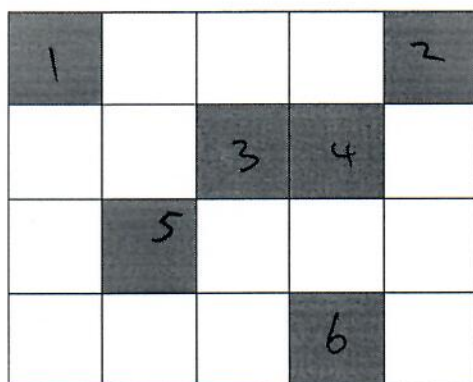
E 29

$$3 \overline{) 87} \begin{array}{r} 29 \end{array}$$

For questions 51–56, you have to **write your answers** in the boxes provided on your answer sheet. The units of measurement have been given.

# 51

Look at the shape below which is made from 20 identical squares.



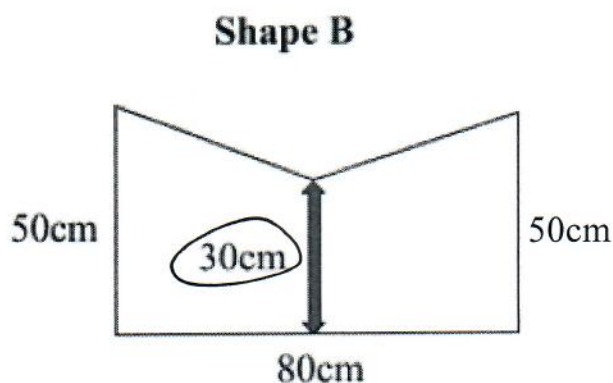
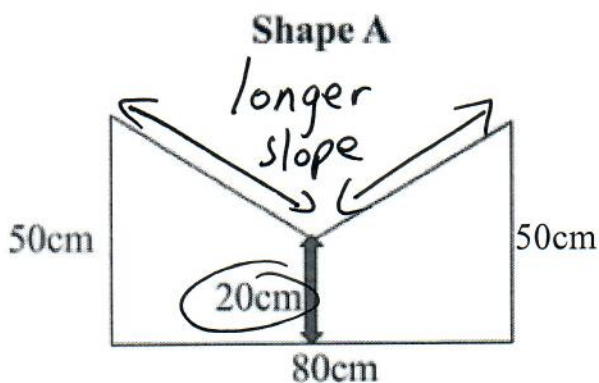
$$\frac{6}{20} \text{ or } \frac{3}{10}$$

What fraction of the shape is shaded?

$$\frac{6}{20} \text{ or } \frac{3}{10}$$

# 52

Look at the 2 shapes below. A pupil is comparing the perimeter of Shape A and Shape B.



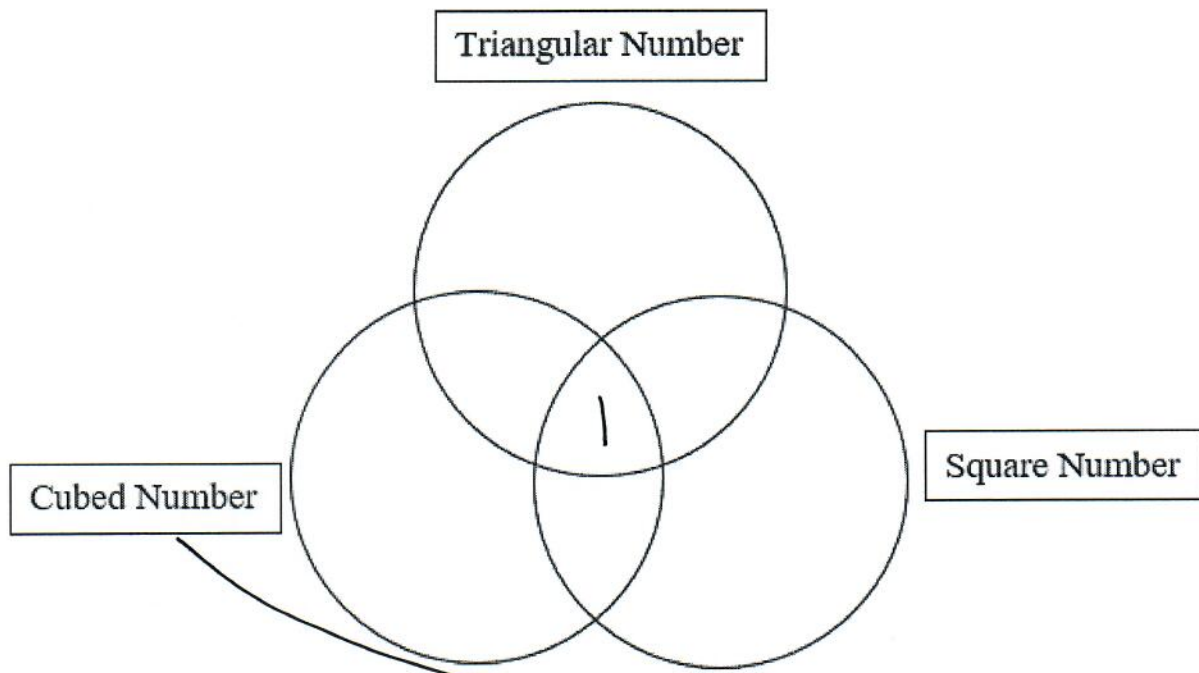
- A: Shape A has the greater perimeter
- B: Shape B has the greater perimeter
- C: Shape A and Shape B have the same perimeter

Which statement above (A-C) is correct?

**A**



53



Look at the Venn diagram above.

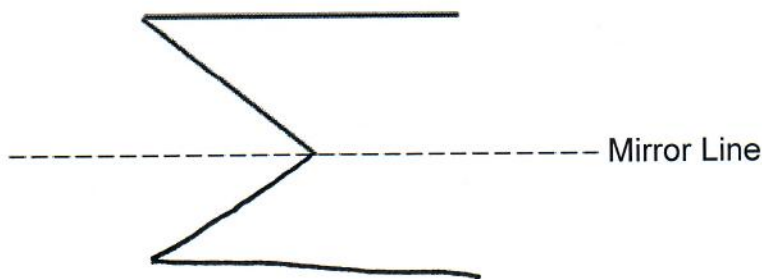
What number between 0 and 100 could go in the middle section of the Venn diagram?

1   ~~8~~   ~~27~~   ~~64~~

1

54

Look at the figure below. There is a shape and mirror line.



If the shape is reflected in the mirror line what letter from the alphabet will be created?

M or W or E

55



$\div 3$   $\left\{ \begin{array}{l} 3 \text{ miles} = 15 \text{ mins} \\ 1 \text{ mile} = 5 \text{ mins} \end{array} \right. \div 3$   
 $\times 10$   $\left\{ \begin{array}{l} 10 \text{ miles} = 50 \text{ mins} \end{array} \right. \times 10$

Oliver travels from home to school on their bike, without stopping. He cycles 3 miles every 15 minutes. He lives 10 miles from school.

How many minutes will it take Oliver to travel from his home to school?

50 minutes

56

Mr Stirling has twelve cards. On the cards are the numbers from 1-12. He picks a card at random from the deck.

Look at the statements below:

- Outcome A = They pick an odd number or a cubed number above 1.  $\frac{7}{12}$
- Outcome B = They pick a triangular number.  $\frac{4}{12}$
- Outcome C = They pick a multiple of 3 or a cubed number.  $\frac{6}{12}$
- Outcome D = They pick a prime.  $\frac{5}{12}$

Which outcome (A-D) is least likely?

B