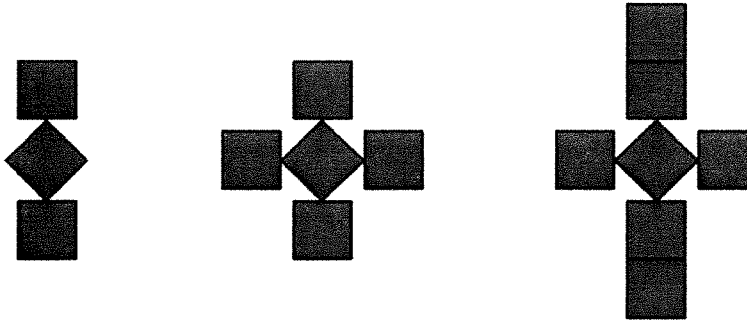


1

Look at the sequence of 3 patterns below. Each pattern is made up of small squares.



Pattern 1

Pattern 2

Pattern 3

Look at the table below. It shows the number of small squares in each pattern.

Pattern	1	2	3	4	5	6	7	8	9	10
Small Squares	3	5	7	9	11	13	15	17	19	21

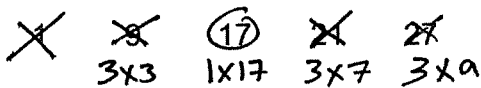
$+2$ $+2$ $+2$ $+2$ $+2$ $+2$ $+2$ $+2$ $+2$ $+2$

How many squares are needed to make Pattern 10?

- A 18 B 20 **C 21** D 23 E 30

2

Look at the five numbers below.

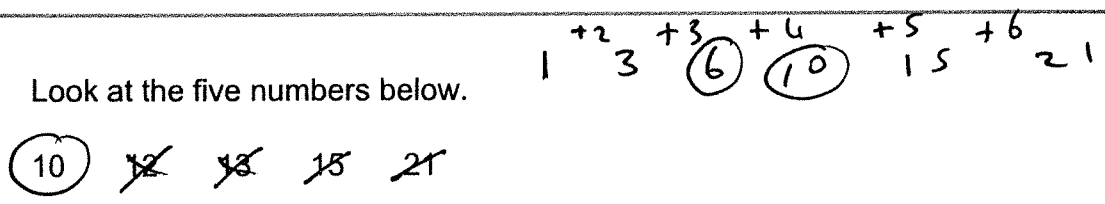


Which number that is a prime number?

- A 1 B 9 **C 17** D 21 E 27

3

Look at the five numbers below.

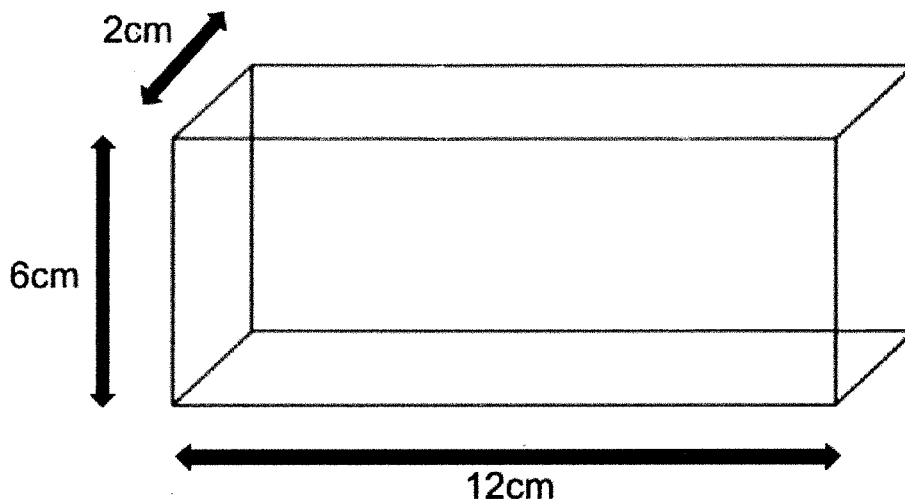


Which number that is both an even number and a triangular number?

- A 10** B 12 C 13 D 15 E 18

4

The diagram below shows a water tank. The tank has a cuboid shape.



$$\begin{array}{r} 12 \\ \times 6 \\ \hline 72 \\ \times 2 \\ \hline 144 \end{array}$$

What volume of water will the tank hold when it is full?

A 20cm^3

B 72cm^3

C 160cm^3

D 240cm^3

E 144cm^3

For question 5, you have to **write your answers** in the spaces provided in the question.

5

Look at the calculation below.

Complete the calculation by writing a number in each of the three boxes below.

$$\begin{array}{r} \textcircled{1} \quad \textcircled{1} \\ \boxed{3} \quad 7 \quad 9 \\ + \quad 1 \quad 4 \quad \boxed{2} \\ \hline 5 \quad \boxed{2} \quad 1 \end{array}$$

$$9 + 2 = \textcircled{1}1$$

In this exercise there are some mistakes with **punctuation** or use of **capital letters**. On each numbered line there is either **one** mistake or **no** mistake. Find the group of words with the mistake in it and **circle its letter** below. If there is **no** mistake, mark **N**.

Punctuation Exercise

1 "Please sit down" Mrs Taylor said with anger. "We're about to begin the test."

↑ A ↑ B ↑ C ↑ D ↑

! or .

2 The garden was full of bright colourful flowers, bees and butterflies.

↑ A ↑ B ↑ C ↑ D ↑

3 Ellie whispered that she'd forgotten her homework, but nobody heard her in the corridor.

↑ A ↑ B ↑ C ↑ D ↑

she had = she'd

4 Liam shouted "Wait for me!" as he ran across the crowded playground to his pals.

↑ A ↑ B ↑ C ↑ D ↑

5 The wind howled outside the window, but inside the classroom everyone worked quietly.

↑ A ↑ B ↑ C ↑ D ↑ N