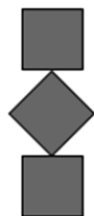
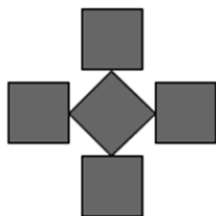


1

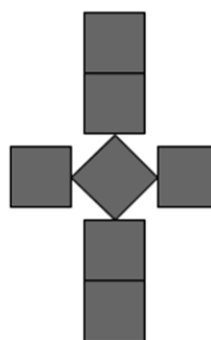
Look at the sequence of 3 patterns below. Each pattern is made up of small squares.



Pattern 1



Pattern 2



Pattern 3

Look at the table below. It shows the number of small squares in each pattern.

Pattern	1	2	3
Small Squares	3	5	7

How many **squares** are needed to make **Pattern 10**?

- A 18 B 20 C 21 D 23 E 30

2

Look at the five numbers below.

1 9 17 21 27

Which number that is a prime number?

- A 1 B 9 C 17 D 21 E 27

3

Look at the five numbers below.

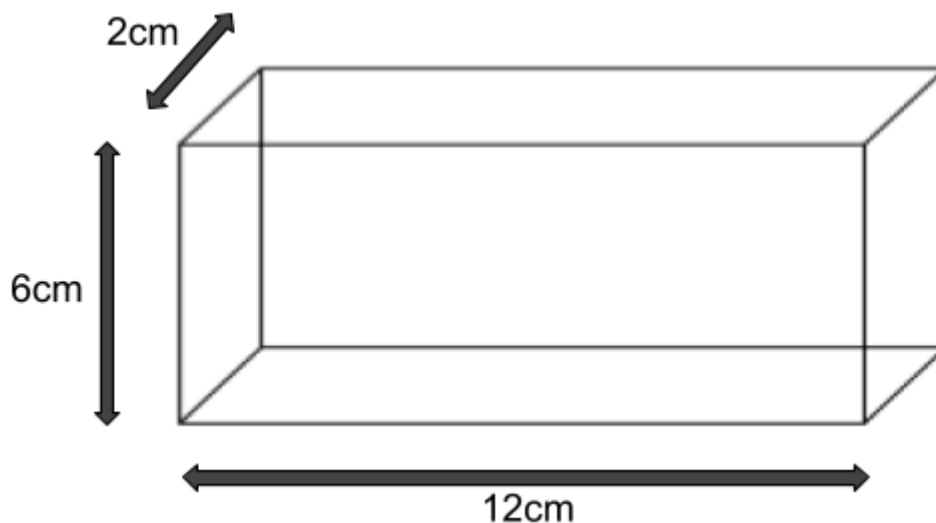
10 12 13 15 21

Which number that is both an even number and a triangular number?

- A 10 B 12 C 13 D 15 E 18

4

The diagram below shows a water tank. The tank has a cuboid shape.



What volume of water will the tank hold when it is full?

- A 20cm^3 B 72cm^3 C 160cm^3 D 240cm^3 E 144cm^3

For question 5, you have to **write your answers** in the spaces provided in the question.

5

Look at the calculation below.

Complete the calculation by writing a number in each of the three boxes below.

$$\begin{array}{r}
 \square \quad 7 \quad 9 \\
 + \quad 1 \quad 4 \quad \square \\
 \hline
 5 \quad \square \quad 1
 \end{array}$$

In this exercise there are some mistakes with **punctuation** or use of **capital letters**. On each numbered line there is either **one** mistake or **no** mistake. Find the group of words with the mistake in it and **circle its letter below**. If there is no mistake, mark **N**.

Punctuation Exercise

1 “Please sit down” Mrs Taylor said with anger. “We’re about to begin the test.”
↑ A ↑↑ B ↑↑ C ↑↑ D ↑

2 The garden was full of bright colourful flowers bees and butterflies.
↑ A ↑↑ B ↑↑ C ↑↑ D ↑

3 Ellie whispered that shed forgotten her homework, but nobody heard her in the corridor.
↑ A ↑↑ B ↑↑ C ↑↑ D ↑

4 Liam shouted “Wait for me!” as he ran across the crowded playground to his pals.
↑ A ↑↑ B ↑↑ C ↑↑ D ↑

5 The wind howled outside the window, but inside the classroom everyone worked quietly.
↑ A ↑↑ B ↑↑ C ↑↑ D ↑

Answers**Maths**

- 1) C 21
- 2) C 17
- 3) A 10
- 4) E 144cm^3
- 5) (Top to Bottom) 3, 2, 2

English

- 1) A
- 2) C
- 3) B
- 4) A
- 5) N