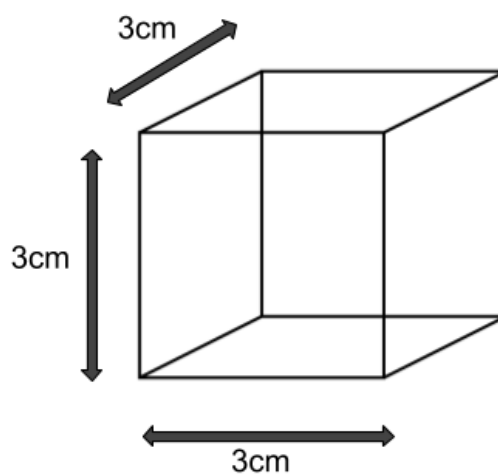


Q4 (Volume) Day 26 Name: _____

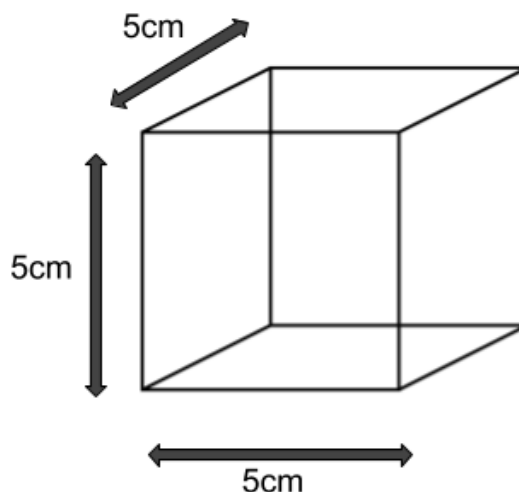
1. The diagram below shows a **water tank**. The tank has a **cube** shape.



What volume of **water** will the tank hold when it is **full**? Write your answer in the space below.

_____ cm³

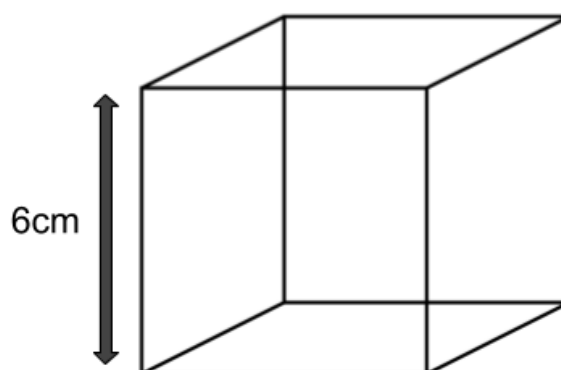
2. The diagram below shows a **water tank**. The tank has a **cube** shape.



What volume of **water** will the tank hold when it is **full**? Write your answer in the space below.

_____ cm³

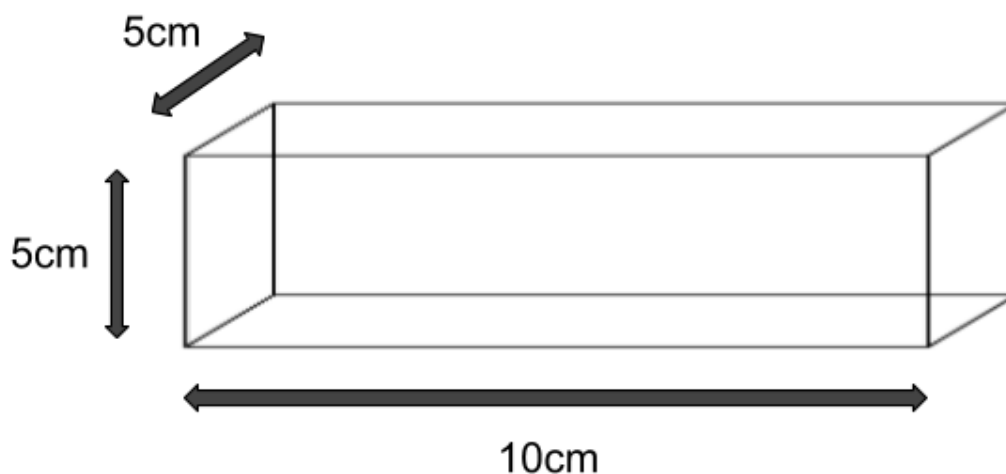
3. The diagram below shows a **water tank**. The tank has a **cube** shape.



What volume of **water** will the tank hold when it is **full**? Write your answer in the space below.

_____ cm³

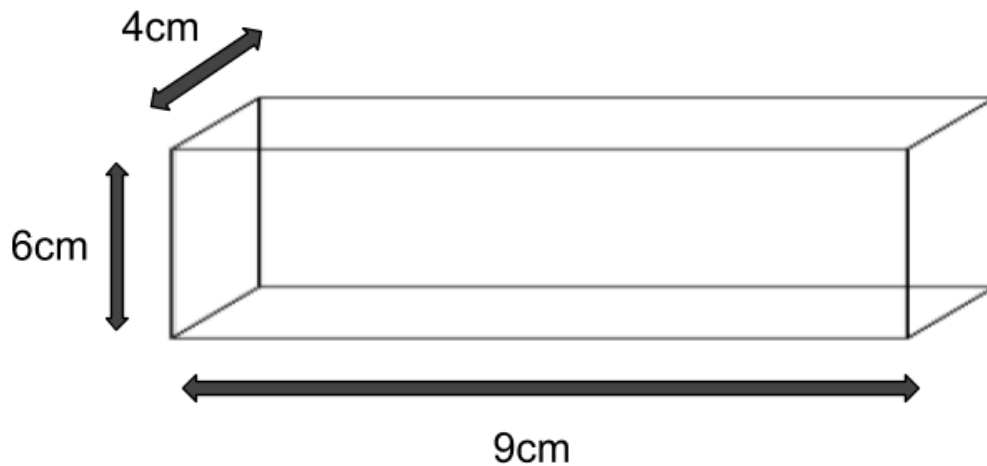
4. The diagram below shows a **water tank**. The tank has a **cuboid** shape.



What volume of **water** will the tank hold when it is **full**? Write your answer in the space below.

_____ cm³

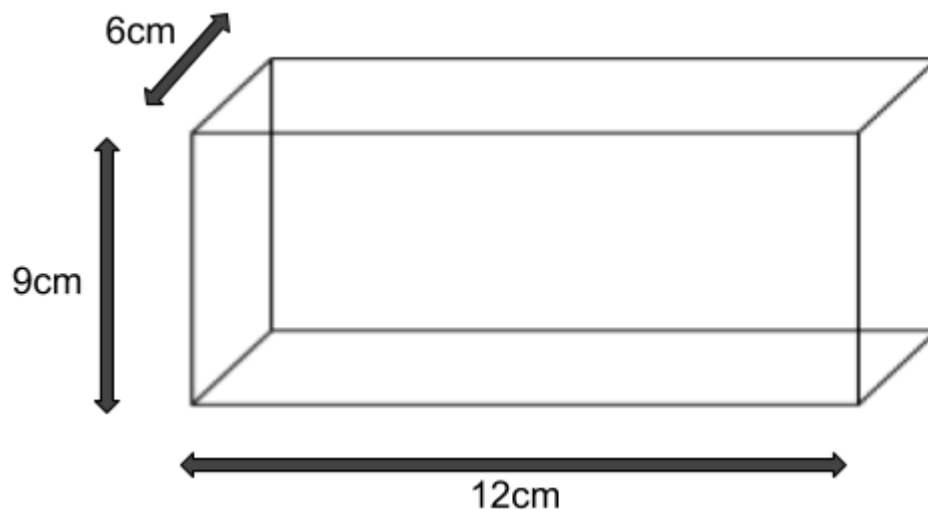
5. The diagram below shows a **water tank**. The tank has a **cuboid** shape.



What volume of **water** will the tank hold when it is **full**? Write your answer in the space below.

_____ cm³

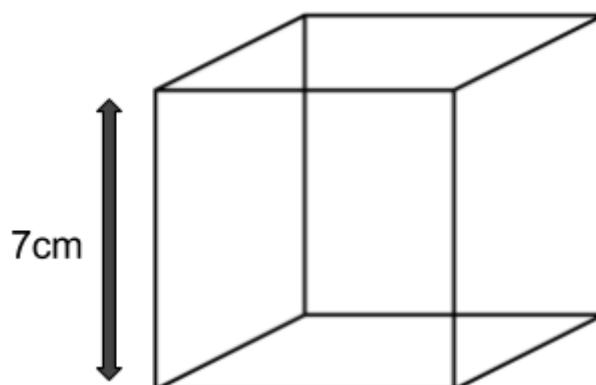
6. The diagram below shows a **water tank**. The tank has a **cuboid** shape.



What volume of **water** will the tank hold when it is **full**? Write your answer in the space below.

_____ cm³

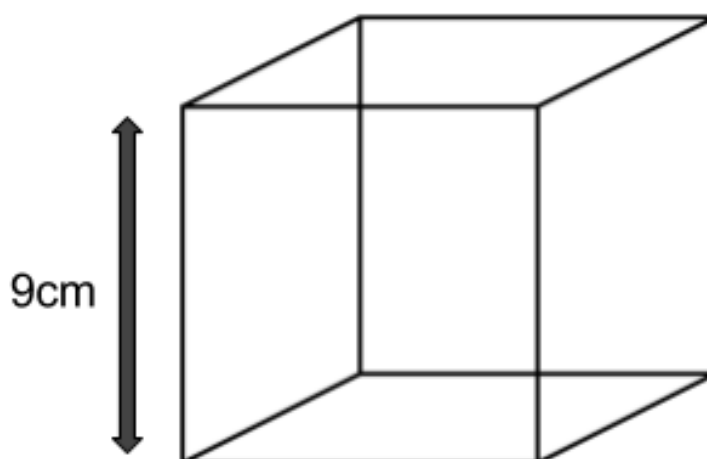
7. The diagram below shows a **water tank**. The tank has a **cube** shape.



What volume of **water** will the tank hold when it is **full**? Write your answer in the space below.

_____ cm

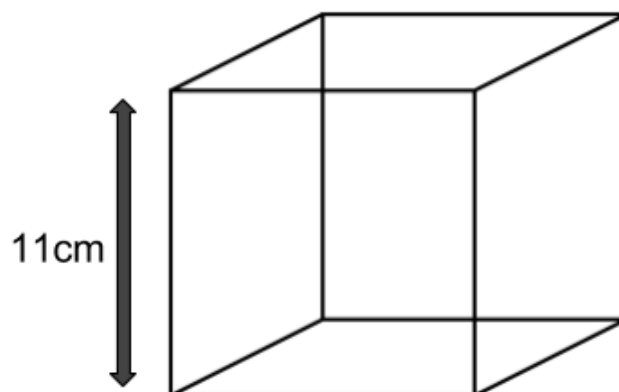
8. The diagram below shows a **water tank**. The tank has a **cube** shape.



What volume of **water** will the tank hold when it is **full**? Write your answer in the space below.

_____ cm³

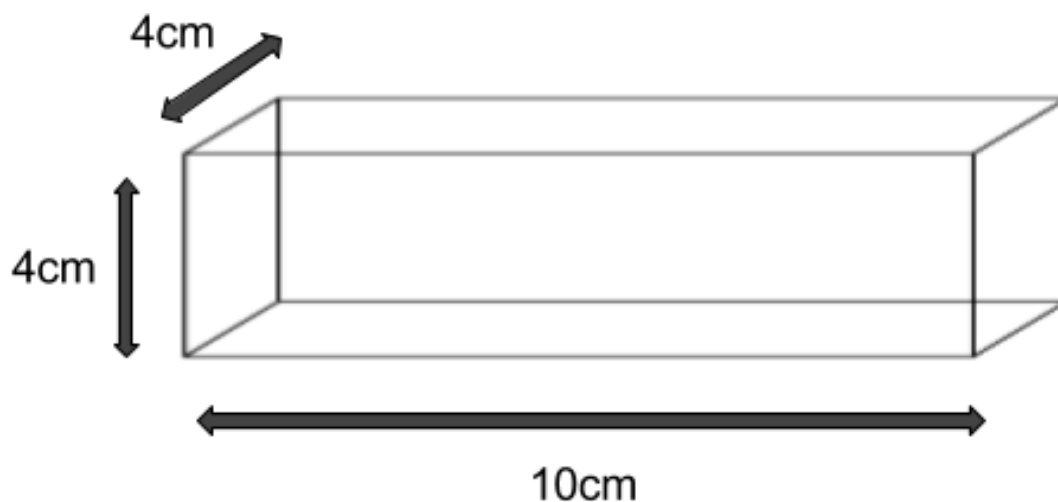
9. The diagram below shows a **water tank**. The tank has a **cube** shape.



What volume of **water** will the tank hold when it is **full**? Write your answer in the space below.

_____ cm³

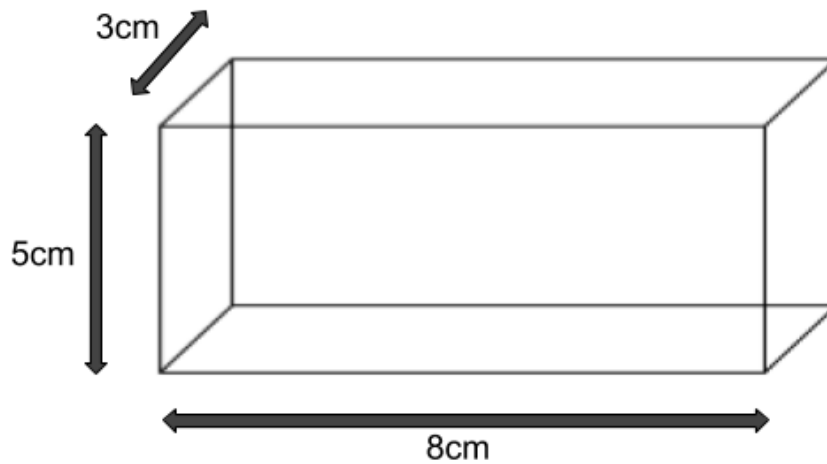
10. The diagram below shows a **water tank**. The tank has a **cuboid** shape.



What volume of **water** will the tank hold when it is **full**? Write your answer in the space below.

_____ cm³

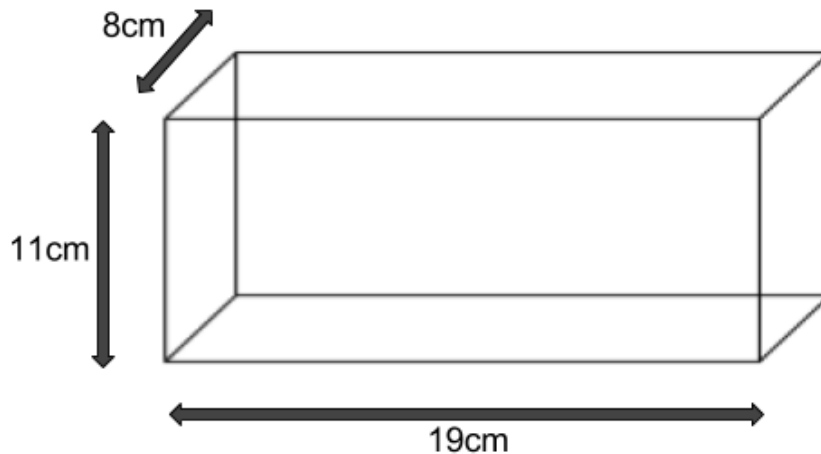
11. The diagram below shows a **water tank**. The tank has a **cuboid** shape.



What volume of **water** will the tank hold when it is **full**? Write your answer in the space below.

_____ cm³

12. The diagram below shows a **water tank**. The tank has a **cuboid** shape.



What volume of **water** will the tank hold when it is **full**? Write your answer in the space below.

_____ cm³

Answers

- 1. 27**
- 2. 125**
- 3. 216**
- 4. 250**
- 5. 216**
- 6. 648**
- 7. 343**
- 8. 729**
- 9. 1331**
- 10.160**
- 11.120**
- 12.1672**