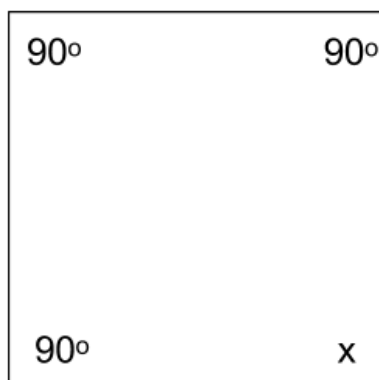


Q3 (Angles in Quadrilateral) Day 52 Name: _____

1. Look at the **quadrilateral** below. It is a **square**.



What is the **size of the angle x**? Write your answer in the space below.

_____°

2. Look at the **quadrilateral** below. It is a **rectangle**.



What is the **size of the angle x**? Write your answer in the space below.

_____°

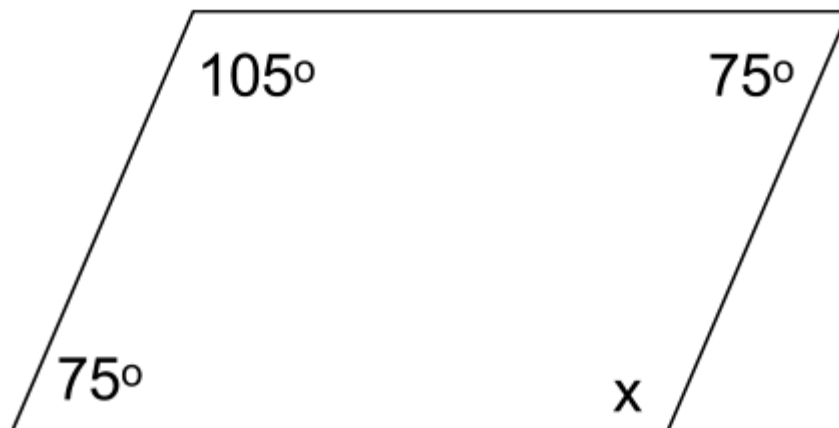
3. Look at the **quadrilateral** below. It is a **rectangle**.



What is the **size of the angle x**? Write your answer in the space below.

_____°

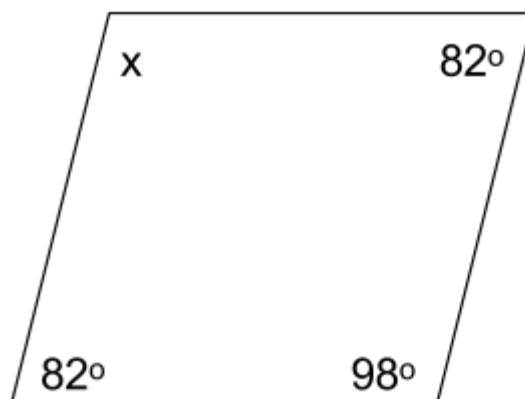
4. Look at the **quadrilateral** below. It is a **parallelogram**.



What is the **size of the angle x**? Write your answer in the space below.

_____°

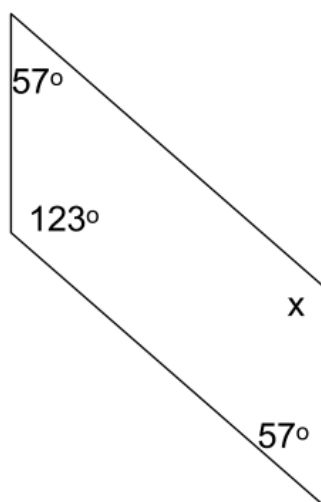
5. Look at the **quadrilateral** below. It is a **rhombus**.



What is the **size of the angle x**? Write your answer in the space below.

_____°

6. Look at the **quadrilateral** below. It is a **parallelogram**.



What is the **size of the angle x**? Write your answer in the space below.

_____°

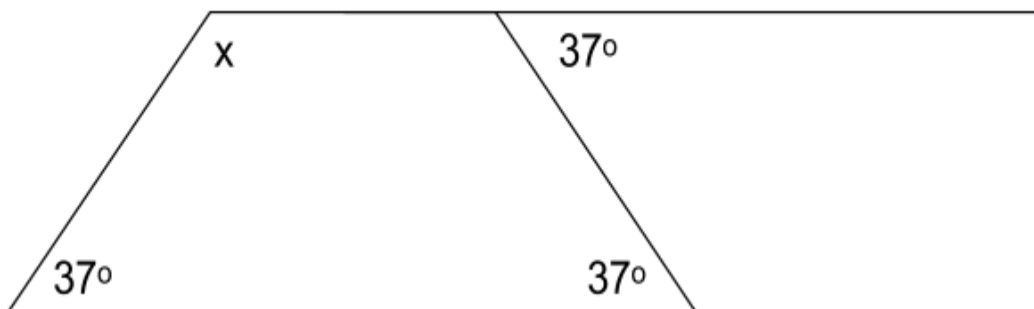
7. Look at the **quadrilateral** below.



What is the **size of the angle x**? Write your answer in the space below.

_____°

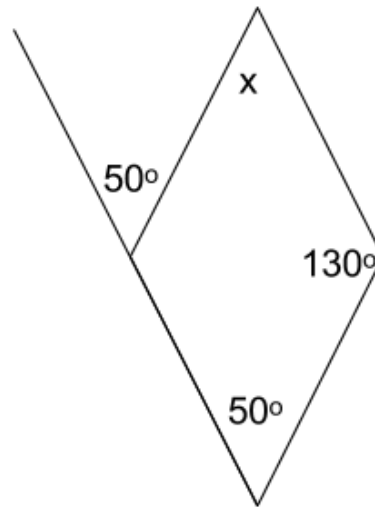
8. Look at the **quadrilateral** below. It is a **trapezium**.



What is the **size of the angle x**? Write your answer in the space below.

_____°

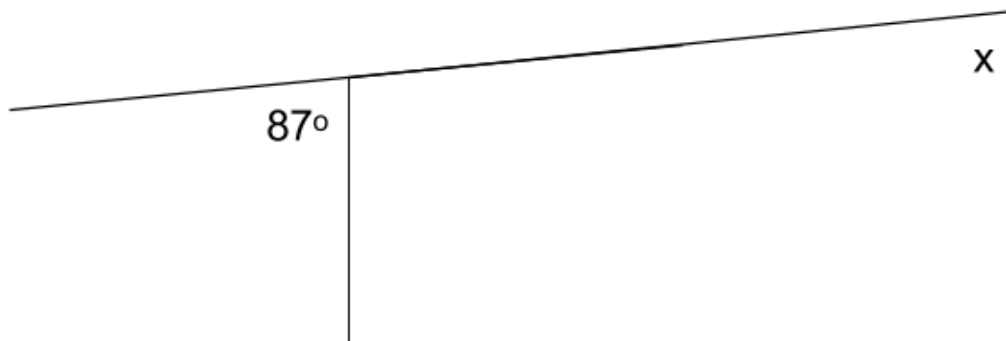
9. Look at the **quadrilateral** below. It is a **rhombus**.



What is the **size of the angle x**? Write your answer in the space below.

_____°

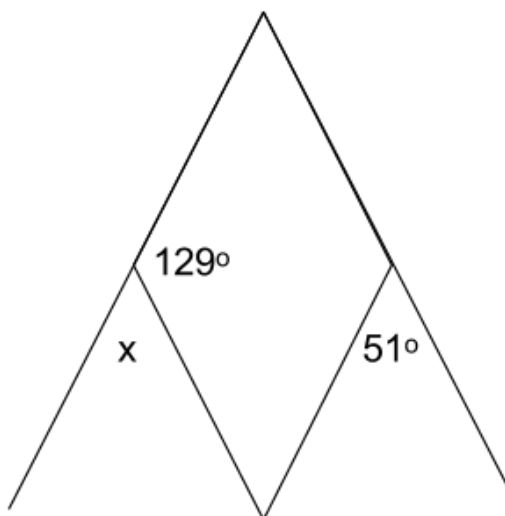
10. Look at the **quadrilateral** below. It is a **trapezium**.



What is the **size of the angle x**? Write your answer in the space below.

_____°

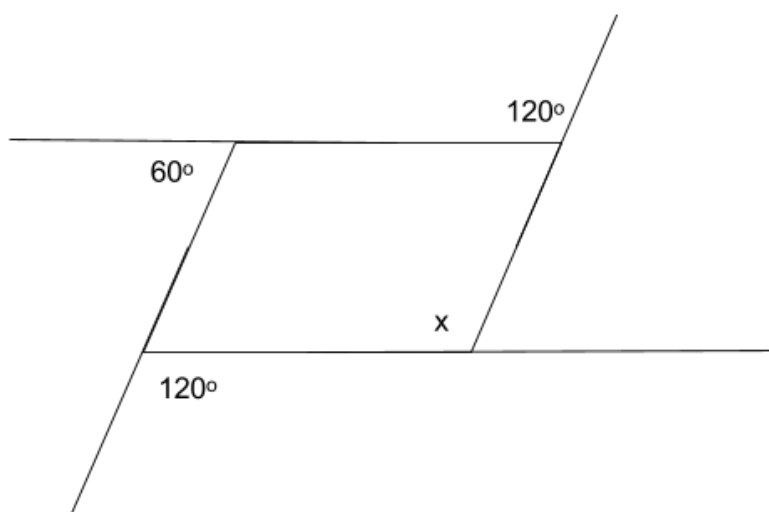
11. Look at the **quadrilateral** below. It is a **rhombus**.



What is the **size of the angle x**? Write your answer in the space below.

_____°

12. Look at the **quadrilateral** below. It is a **parallelogram**.



What is the **size of the angle x**? Write your answer in the space below.

_____°

Answers**1. 90****2. 90****3. 90****4. 105****5. 98****6. 123****7. 101****8. 143****9. 50****10.87****11.51****12.120**