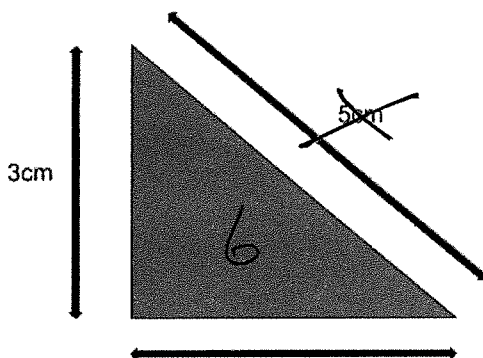




4

Look at the triangle below.



What is the area of the triangle?

- A 30cm<sup>2</sup>    B 24cm<sup>2</sup>    C 6cm<sup>2</sup>    D 12cm<sup>2</sup>    E 18cm<sup>2</sup>

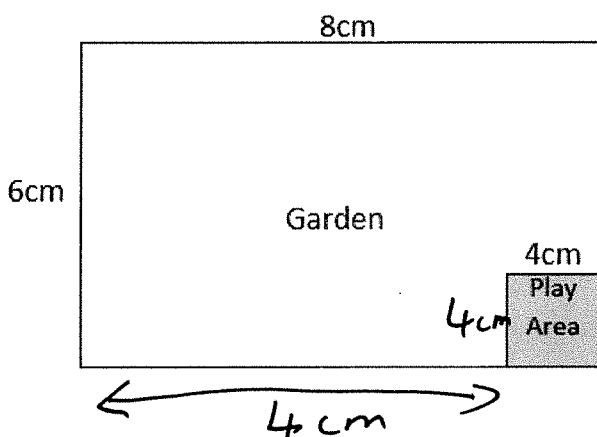
$\frac{4cm}{2}$

$2 \times 3 = 6$

For question 5, you have to write your answer in the space provided in the question.

5

Look at the plan of a garden below.



$8 + 8 = 16$   
 $6 + 6 = +12$   
 $\underline{\hspace{1cm}}$   
 28cm

$1cm = 4m$   
 $28cm = 112m$

$\begin{array}{r} 328 \\ \times 4 \\ \hline 112 \end{array}$

On the plan, 1 centimetre represents 4 metres.  
 The garden is rectangular and the play area in one corner is square.

What is the actual perimeter of the part of the garden which is covered with grass?

112 metres

In this exercise there are some **spelling** mistakes. On each numbered line there is either **one** mistake or **no** mistake. Find the group of words with the mistake in it and mark its letter on your answer sheet. If there is no mistake, mark N.

## Spelling Exercise

1 separate  
 The scientist carefully tried to seperate the two chemical compounds using a special filter during the experiment.

A B C D

2 necessary  
 The young traveller packed only the most neccessary items in her rucksack before setting off on the long hiking trail.

A B C D

3  
 The librarian carefully arranged the new books on the shelves so that every pupil could find what they were looking for.

A B C D N

4 receive  
 The head chef was delighted to recieve a five-star review from the newspaper critic who had visited the restaurant the previous evening.

A B C D

5 occurred  
 A serious computer error occurd during the online examination, which meant that several students had to restart their tests from the beginning.

A B C D